

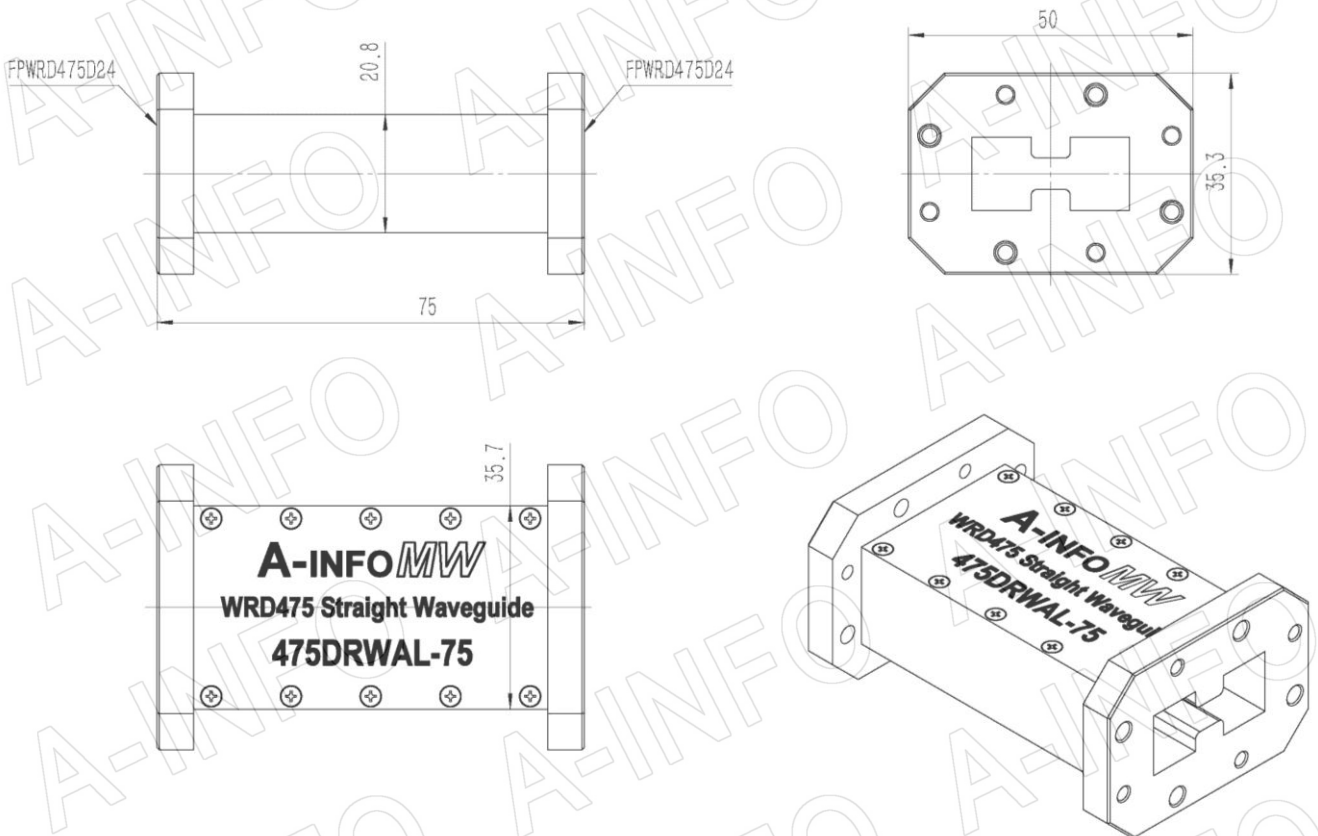
For reference only. See data sheet for the detailed specifications.

Technical Specification



EIA WRD	WRD475
Frequency Range(GHz)	4.75 – 11.0
Length(mm)	75
Insertion Loss(dB)	0.1 Max.
VSWR	1.15:1 Max.
Flange	FPWRD475D24
Material	Al
Size(mm)	75 x 50 x 35.3
Net Weight(Kg)	0.13 Around

Outline Drawing (Size: mm)


AINFO Inc.

China(Beijing): Tel: (+86) 10-6266-7326,
 China(Chengdu): Tel: (+86) 28-8519-2786,
 USA: Tel: (+1) 949-639-9688,

Page 1 of 3

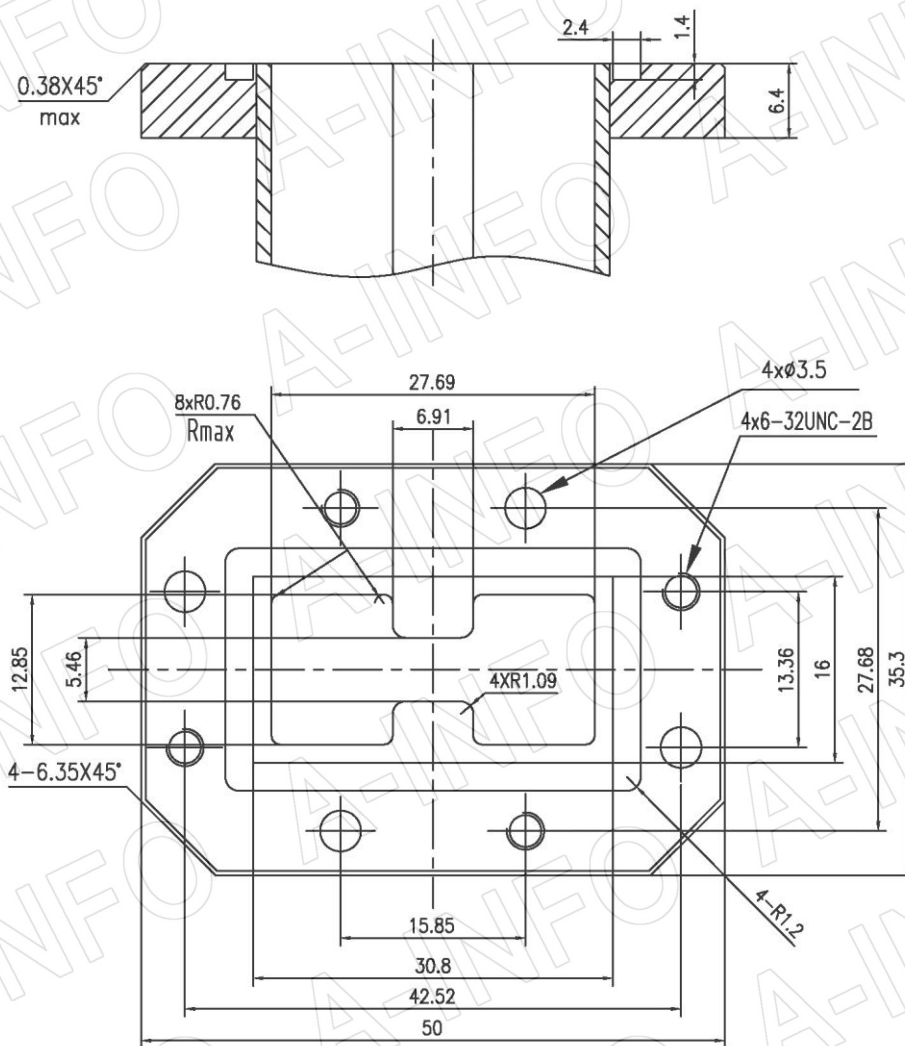
(+86) 10-6266-7327 Fax: (+86) 10-6266-7379
 (+86) 28-8519-3044 Fax: (+86) 28-8519-3068
 (+1) 949-639-9608 Fax: (+1) 949-639-9670

Website: www.ainfoinc.com
 Email: sales@ainfoinc.com

Flange Drawing (Size: mm)

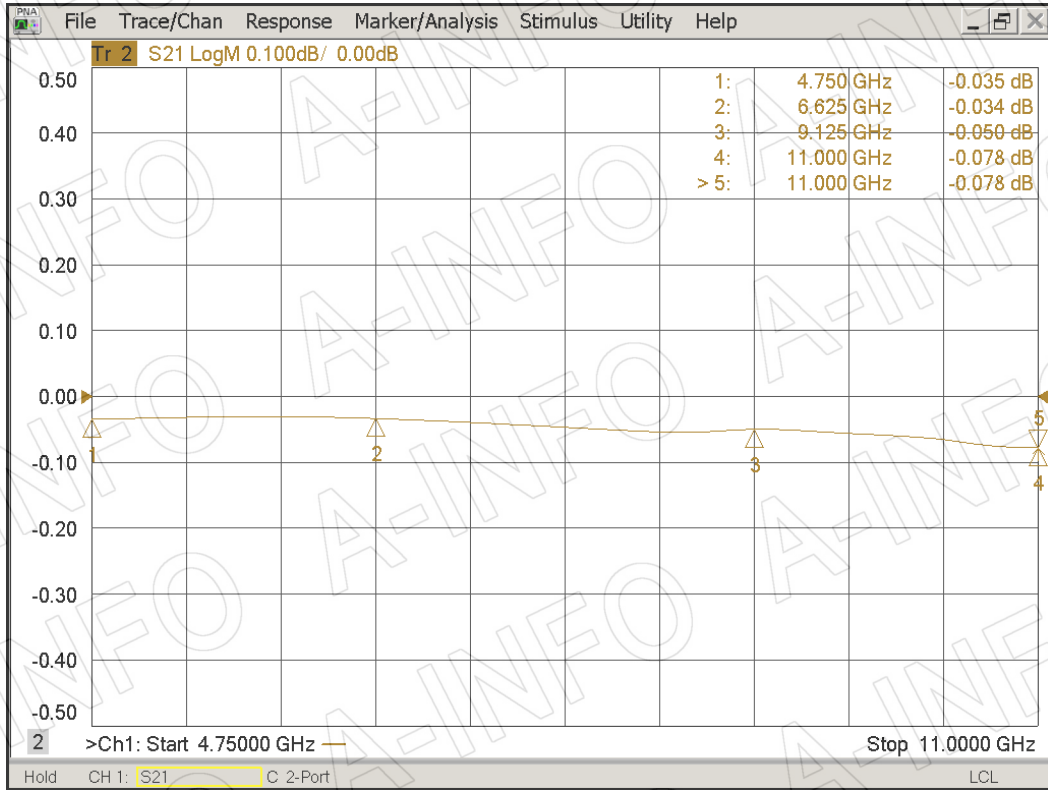
FMWRD475D24

(With four through mounting holes
and four screws holes)



Test Results

I.L.



VSWR

